

# PARTS LIST FOR

## KENMORE GAS RANGE

### MODEL NUMBERS

103.7426601 White  
103.7426641 Copper tone

103.7426606 White W/Press. Reg.  
103.7426646 Coppertone W/Press. Reg.

The Model Number will be found on a nameplate fastened to the broiler door lining. Always mention the Model Number in all correspondence regarding the range or when ordering repair parts.

### HOW TO ORDER REPAIR PARTS

All parts listed herein may be ordered through SEARS, ROEBUCK AND CO. When ordering parts by mail from the mail order house which serves the territory in which you live, selling prices will be furnished on request or parts will be shipped at prevailing prices and you will be billed accordingly.

WHEN ORDERING REPAIR PARTS, ALWAYS GIVE THE FOLLOWING INFORMATION AS SHOWN IN THIS LIST:

- 1.The PART NUMBER
- 2.The PART NAME
- 3.The MODEL NUMBER
- 4.The NAME of item--Gas Range.

### COAST TO COAST NATION-WIDE SERVICE FROM SEARS



SEARS, ROEBUCK AND CO. backs up your investment with quick, expert mechanical service and genuine KENMORE replacement parts. If and when you need repairs or service, call on us to protect your investment in this fine piece of equipment.

Part No. 231002  
3.5.6  
RP 4761

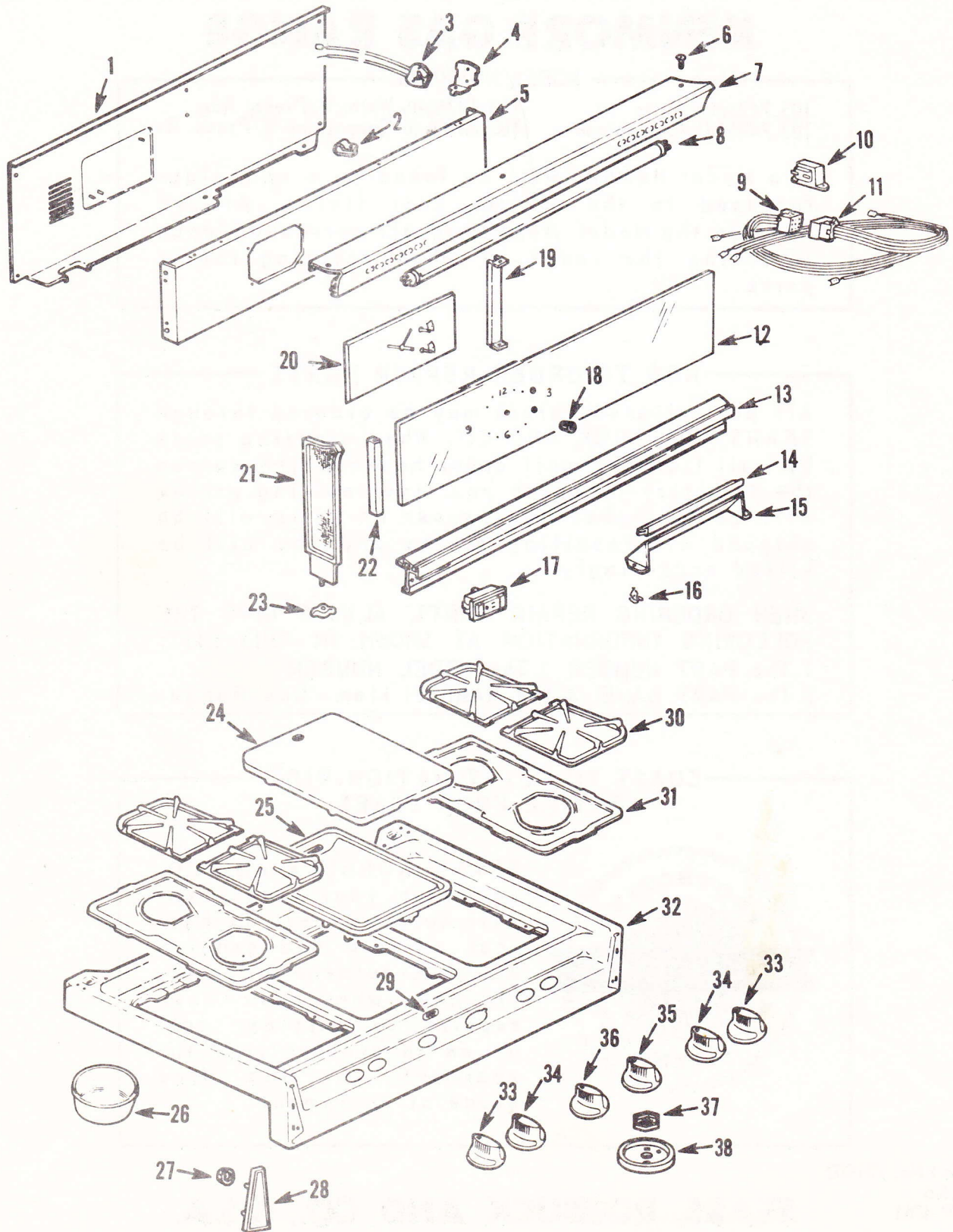
**SEARS, ROEBUCK AND CO., U.S.A.**

KENMORE GAS RANGE--MODEL NUMBERS

103.7426601 White  
103.7426641 Coppertone

103.7426606 White W/Press. Reg.  
103.7426646 Coppertone W/Press. Reg.

ILLUSTRATION FOR BACKGUARD AND MAINTOP



KENMORE GAS RANGE--MODEL NUMBERS

103.7426601 White

103.7426606 White W/Press. Reg.

103.7426641 Coppertone

103.7426646 Coppertone W/Press. Reg.

PARTS LIST FOR BACKGUARD AND MAINTOP

Key No.	Part No.	Description
1	108708	Backguard Wire Cover
2	106767	Wire Clip
3	.....	Fluorescent Lamp Holder
	113745	Right
	113744	Left
4	113236	Lamp Holder Bracket (Right or Left)
5	113183	Curtain Panel
6	107654	Screw 6-32 x 3/8
7	113079	Lamp Shade
8	71734	Fluorescent Lamp
9	113908	Upper Wire Harness
10	98186	Ballast
11	113907	Lower Wire Harness
12	113424	Lamp Glass
13	113213	Backguard Bottom Shelf
14	113241	Scoop Top Seal
15	109527	Top Flue Scoop
16	70588	Trim Clip
17	113544	Combination Switch & Outlet
18	113015	Clock Knob (3 Required)
19	113210	Curtain Panel Support
20	.....	Clock (less Knobs)
	229467	60 Cycle
	229468	50 Cycle
*	.....	Clock Motor
	106177	60 Cycle
	106178	50 Cycle
21	.....	End Trim
	108355	Left
	108356	Right
22	111613	End Trim
23	72382	Wing Nut

Key No.	Part No.	Description
24	.....	Griddle Cover
	108872	Models 103.7426601 & 103.7426606
	108873	Models 103.7426641 & 103.7426646
25	108880	Griddle Plate
26	68801	Griddle Grease Pan
27	274992	GM Pal Nut (For Key 28)
28	.....	Cap Trim
	109071	Left
	109072	Right
29	79689	Eyelet
30	108888	Top Grate (4 Required)
31	.....	Aeration Pan
	108897	Models 103.7426601 & 103.7426606
	108901	Models 103.7426641 & 103.7426646
32	.....	Main Top
	113346	Models 103.7426601 & 103.7426606
	113347	Models 103.7426641 & 103.7426646
33	.....	Rear Burner Knob (Right or Left)
	113255	Models 103.7426601 & 103.7426606
	109970	Models 103.7426641 & 103.7426646
34	.....	Front Burner Knob (Right or Left)
	113254	Models 103.7426601 & 103.7426606
	109969	Models 103.7426641 & 103.7426646
35	.....	Oven Thermostat Knob
	113259	Models 103.7426601 & 103.7426606
	110178	Models 103.7426641 & 103.7426646
36	.....	Griddle Burner Knob
	113256	Model 103.7426601 & 103.7426606
	109971	Model 103.7426641 & 103.7426646
37	87371	Thermostat Mounting Nut
38	110199	Oven Thermostat Bezel
	*	Parts Not Shown on Illustration

KENMORE GAS RANGE---MODEL NUMBERS

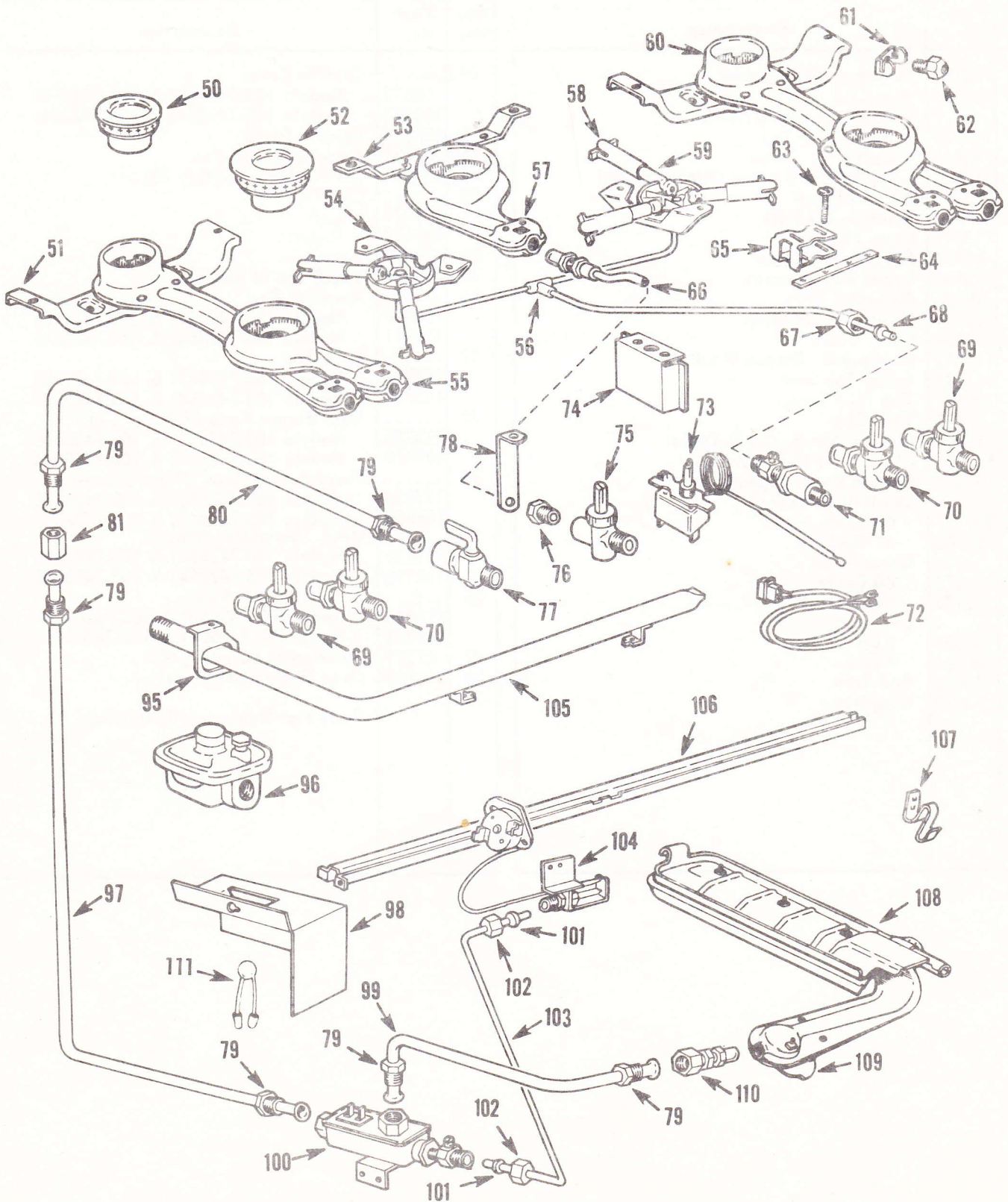
103.7426601 White

103.7426606 White W/Press. Reg.

103.7426641 Coppertone

103.7426646 Coppertone W/Press. Reg.

ILLUSTRATION FOR BURNER SECTION



KENMORE GAS RANGE--MODEL NUMBERS

103.7426601 White

103.7426606 White W/Press. Reg.

103.7426641 Coppertone

103.7426646 Coppertone W/Press. Reg.

PARTS LIST FOR BURNER SECTION

Key No.	Part No.	Description	Key No.	Part No.	Description
50	114422	Rear Burner Head (Lt. or Rt.)	70	.....	Front Burner Valve (Rt. or Lt.)
51	108903	Rear Burner Support (Lt. or Rt.)		109046	Models 103.7426601 & 103.7426641
52	114421	Giant Burner Head		109048	Models 103.7426606 & 103.7426646
53	108893	Griddle Burner Support			NOTE: For Ranges Converted to L.P. or
54	109042	Top Pilot Housing (Lt. or Rt.)			MFG Gas, Refer to Conversion Kits at End
55	.....	Front Burner w/Head			of Parts List for Correct Orifice Hoods.
	229115	Left	71	103005	1 Port Filter
	229114	Right	72	110210	2-Wire Conductor (For Key 73)
56	108916	Top Pilot Tubing	73	229602	Oven Thermostat (Electric)
57	229206	Griddle Burner w/Head	74	111823	Electric Thermostat Shield
58	71580	Flash Tube	75	109054	Griddle Burner Valve
59	.....	Housing Tube	76	79719	Loxit Nut - 1/4
	103700	Top Burners -Rt. or Lt.	77	113371	Shut-Off Valve
60	.....	Rear Burner w/Head	78	110629	Griddle Orifice Bracket
	229113	Right	79	142433	GM Inverted Nut 3/8
	229112	Left	80	113390	Tubing 3/8 (Shut-Off to Union)
61	71578	Flash Tube Bracket	81	113372	Union 3/8
62	71575	Charge Port	95	114015	Manifold Support
63	70612	Air Shutter Screw (2 Req. for Key 65)	96	108904	Pressure Regulator
64	70611	Dual Strip Fastener 10B			(Models 103.7426606 & 103.7426646)
65	65112	Air Shutter	97	113392	Tubing 3/8 (Union to Control Valve)
66	.....	Griddle Orifice Fitting	98	114297	Wire Cover (For Control Valve)
	109061	Models 103.7426601 & 103.7426641	99	113398	Tubing 3/8 (Control to Oven Orifice)
	109062	Models 103.7426606 & 103.7426646	100	114296	Control Valve (Stevens)
		NOTE: For Ranges Converted to L.P. or	101	120488	GM Compression Ball Sleeve 3/16
		MFG Gas, Refer to Conversion Kits at End	102	120487	GM Compression Nut 3/16
		of Parts List for Correct Orifice Hood.	103	114289	Tubing 3/16 (Control to Pilot)
67	120487	GM Compression Nut 3/16 (For Key 71)	104	102128	Flame Switch w/Pilot
68	120488	GM Compression Ball Sleeve 3/16	105	109131	Manifold
69	.....	Rear Burner Valve (Rt. or Lt.)	106	113027	Oven Burner Support
	109047	Models 103.7426601 & 103.7426641	107	110261	Thermostat Bulb Clip
	109049	Models 103.7426606 & 103.7426646	108	113722	Oven Burner Complete
		NOTE: For Ranges Converted to L.P. or	109	65119	Air Shutter
		MFG Gas, Refer to Conversion Kits at End	110	.....	Oven Orifice Fitting
		of Parts List for Correct Orifice Hood.		113378	Models 103.7426601 & 103.7426641
				113379	Models 103.7426606 & 103.7426646
					NOTE: For Ranges Converted to L.P. or
					MFG Gas, Refer to Conversion Kits at End
					of Parts List for Correct Orifice Hood.
			111	229983	Capacitor

KENMORE GAS RANGE--MODEL NUMBERS

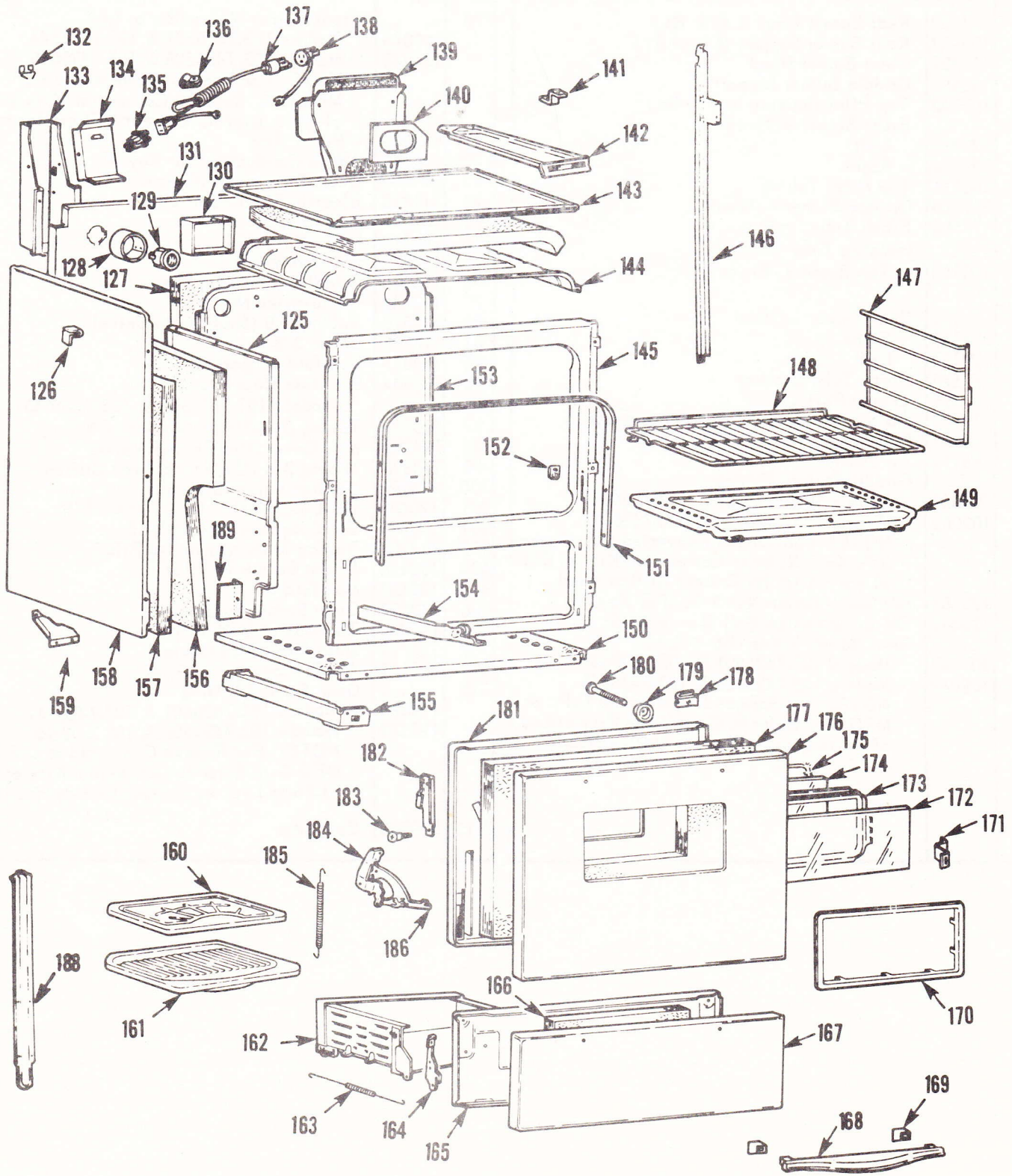
103.7426601 White

103.7426606 White W/Press. Reg.

103.7426641 Coppertone

103.7426646 Coppertone W/Press. Reg.

ILLUSTRATION FOR BODY SECTION



KENMORE GAS RANGE--MODEL NUMBERS

103.7426601 White  
103.7426641 Coppertone

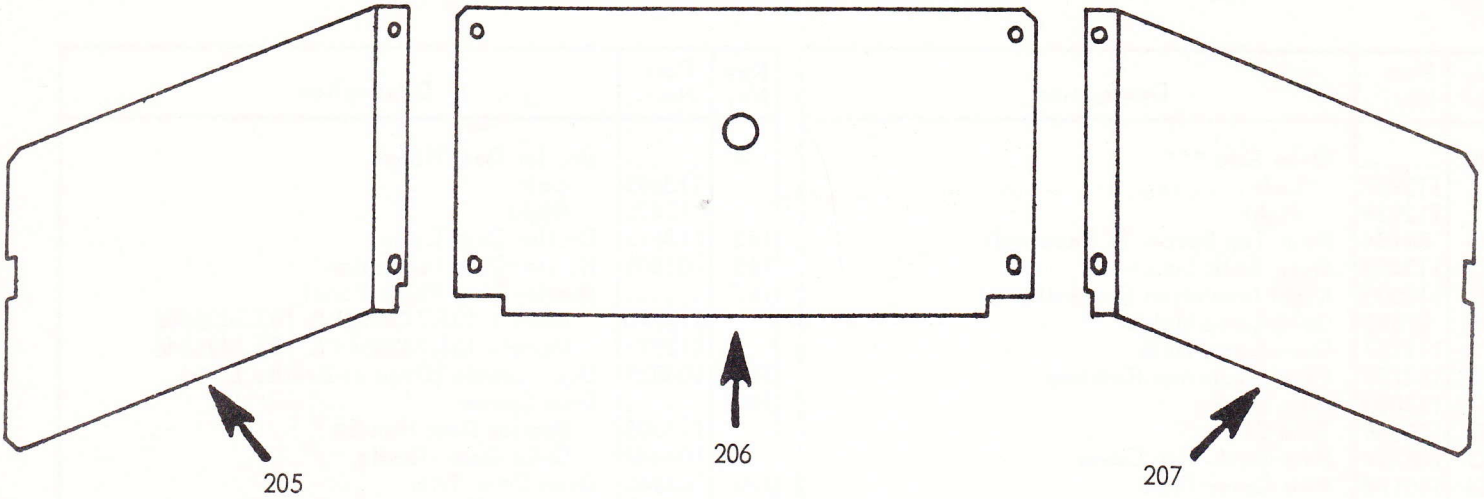
103.7426606 White W/Press. Reg.  
103.7426646 Coppertone W/Press. Reg.

PARTS LIST FOR BODY SECTION

Key No.	Part No.	Description	Key No.	Part No.	Description
125	.....	Oven Side ***	164	.....	Broiler Door Hinge
	112937	Left		113495	Left
	112939	Right		113496	Right
126	88184	Main Top Spacer (4 Required)	165	113613	Broiler Door Lining
127	113493	Oven Back Insulation	166	101505	Broiler Door Insulation
128	113500	Light Insulation Retainer	167	.....	Broiler Door Front Panel
129	87883	Oven Lamp Holder		112990	Models 103.7426601 & 103.7426606
*	111257	Oven Lamp Bulb		112991	Models 103.7426641 & 103.7426646
130	112719	Flue Insulation Retainer	168	104839	Door Handle (Oven or Broiler Door)
131	113003	Main Back	169	.....	Door Spacer
132	70588	Trim Clip		113305	Broiler Door Handle
133	108714	Main Back Wire Cover		104444	Oven Door Handle
134	110174	Wire Cover Front	170	104840	Oven Door Trim
135	89979	Male Load Plug	171	112884	Clamp (2 Required for Key 173)
136	109266	Cord Clip (For Key 137)	172	105024	Oven Door Glass
137	109491	Range Service Cord	173	104979	Door Glass Spacer
138	111850	Polarized Plug Adaptor	174	113672	Door Glass Inner (Screened)
139	114418	Flue Deflector	175	105025	Oven Door Gasket
140	102007	Flue Deflector Gasket	176	.....	Front Panel - Oven Door w/Trim
141	113154	Main Top Hold Down Clamp		229484	Models 103.7426601 & 103.7426606
142	105885	Burner Tray		229485	Models 103.7426641 & 103.7426646
143	112825	Burner Box Bottom	177	114048	Oven Door Insulation
144	112718	Oven Top	178	87547	U Shaped Speed Nut
145	231099	Front Frame w/Rivet, Sleeve & Washer	179	87542	Oven Door Adjusting Cup
146	.....	Body Side Support	180	96900	Screw - 10B x 1-1/2
	230214	Right	181	112956	Oven Door Lining
	230215	Left	182	.....	Hinge Arm Guide
147	112760	Oven Rack Guide (Rt. or Lt.)		97707	Left
148	113070	Oven Rack (2 Required)		97706	Right
149	113775	Oven Bottom	183	.....	Shoulder Bolt (Left or Right)
150	112912	Main Bottom		97708	Upper
151	113091	Oven Door Seal Retainer		97709	Lower
*	113094	Oven Door Gasket	184	.....	Oven Door Hinge w/Rivet, Sleeve & Washer
152	112938	Hinge Arm Guide Block		230875	Left
153	112732	Oven Back ***		230874	Right
154	.....	Broiler Drawer Guide	185	113198	Oven Door Spring (Right or Left)
	113609	Left	186	.....	Oven Door Arm w/Rivet, Sleeve & Washer
	113610	Right		230873	Left
155	112834	Base (Left or Right)		230872	Right
156	114299	Oven Side Insulation (Lt. or Rt.)	188	96237	Wire Raceway
157	114172	Oven Top & Sides Insulation (1 Piece)	189	113426	Insulation Baffle
158	.....	Side Panel (Left or Right)	*	231002	Repair Parts List
	112749	Models 103.7426601 & 103.7426606	*	230958	Installation Manual
	112750	Models 103.7426641 & 103.7426646	*	114837	Owner's Guide
159	.....	Lower Body Side Support		***	For Optional Removable Lining Kit, See End of Parts List.
	230219	Left			
	230218	Right			
160	97841	Broiler Pan Grid			
161	97838	Broiler Pan			
162	113485	Broiler Drawer			
163	67017	Broiler Door Spring (Lt. or Rt.)		*	Parts Not Shown on Illustration

KENMORE GAS RANGE--MODEL NUMBERS

103.7426601 White  
 103.7426641 Coppertone  
 103.7426606 White W/Press. Reg.  
 103.7426646 Coppertone W/Press. Reg.  
 ILLUSTRATION AND PARTS LIST FOR OPTIONAL REMOVABLE KIT NO. 700130



Key No.	Part No.	Description
205	115402	Oven Side Liner - Left
206	115403	Oven Back Liner
207	115401	Oven Side Liner - Right



KENMORE GAS RANGE---MODEL NUMBERS

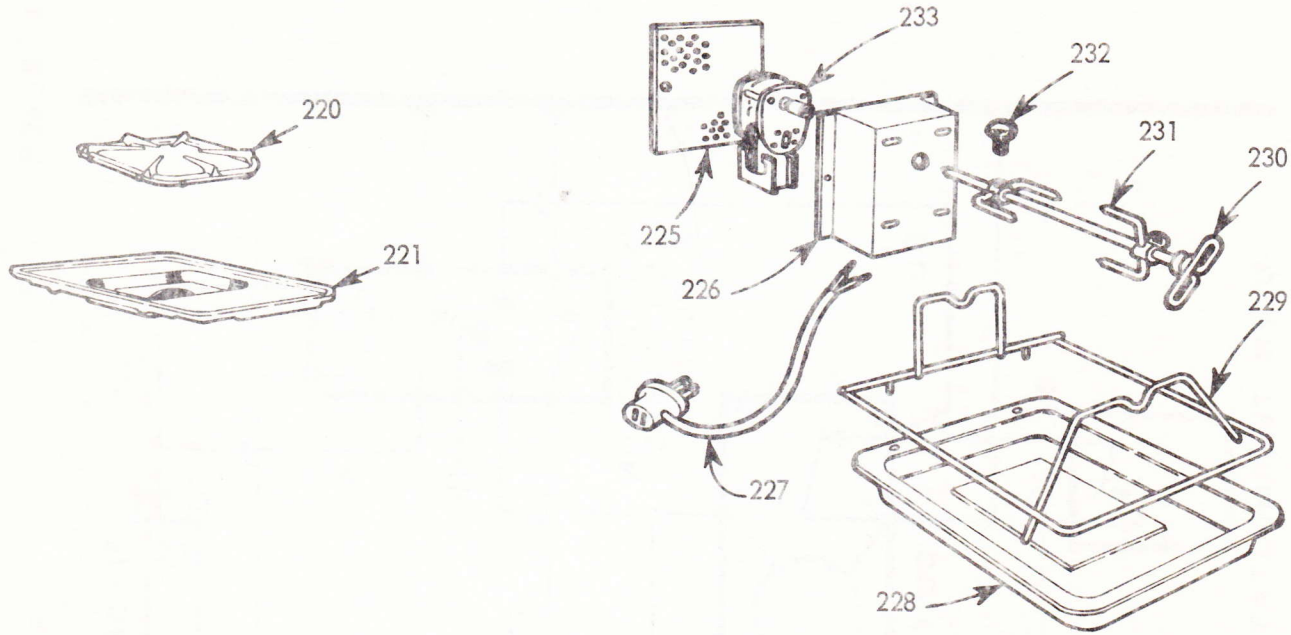
103.7426601 White

103.7426606 White W/Press. Reg.

103.7426641 Coppertone

103.7426646 Coppertone W/Press. Reg.

ILLUSTRATION AND PARTS LIST FOR OPTIONAL EQUIPMENT



Key No.	Part No.	Description
		OPTIONAL EQUIPMENT
220	** 108895	Fifth Burner
221	.....	Top Grate (Griddle)
	108863	Aeration Pan (Griddle)
	108864	Models 103.7426601 & 103.7426606 Models 103.7426641 & 103.7426646
	**	Contact the Merchandise Selling Division for Information on Availability of the Complete Kit.

Key No.	Part No.	Description
		OPTIONAL EQUIPMENT
	**	Oven Rotisserie
225	100098	Cover Plate
226	114425	Rotisserie Motor Box
227	100097	Cord w/Plug
228	97898	Rotisserie Broiler Pan
229	75857	Frame (Spit Support)
230	100092	Spit
231	88433	Skewer
232	70287	Thumbscrew 1/4-20
233	100084	Rotisserie Motor
	**	Contact the Merchandise Selling Division for Information on Availability of the Complete Kit.

L.P. CONVERSION KIT NO. 110999 INCLUDES:  
(Not Required on Ranges with Universal Orifices)

Key No.	Part No.	Description
*	99898	Orifice Card
*	87117	Giant Burner Orifice Hood (#65 Drill)
*	99471	Std. Burner Orifice Hood (#67 Drill)
*	99471	Griddle Burner Orifice Hood (#67 Drill)
*	87795	Tower Orifice Spud (2 Holes - .005) Brass
*	87111	Lo. Oven Burner Orifice Hood (#55 Drill)
*	87115	Eye Level Oven Bur. Orifice Hood (#61 Drill)
*	105231	LP Gas Label
*	71575	Charge Port (4 Required)
	*	Parts Not Shown on Illustration

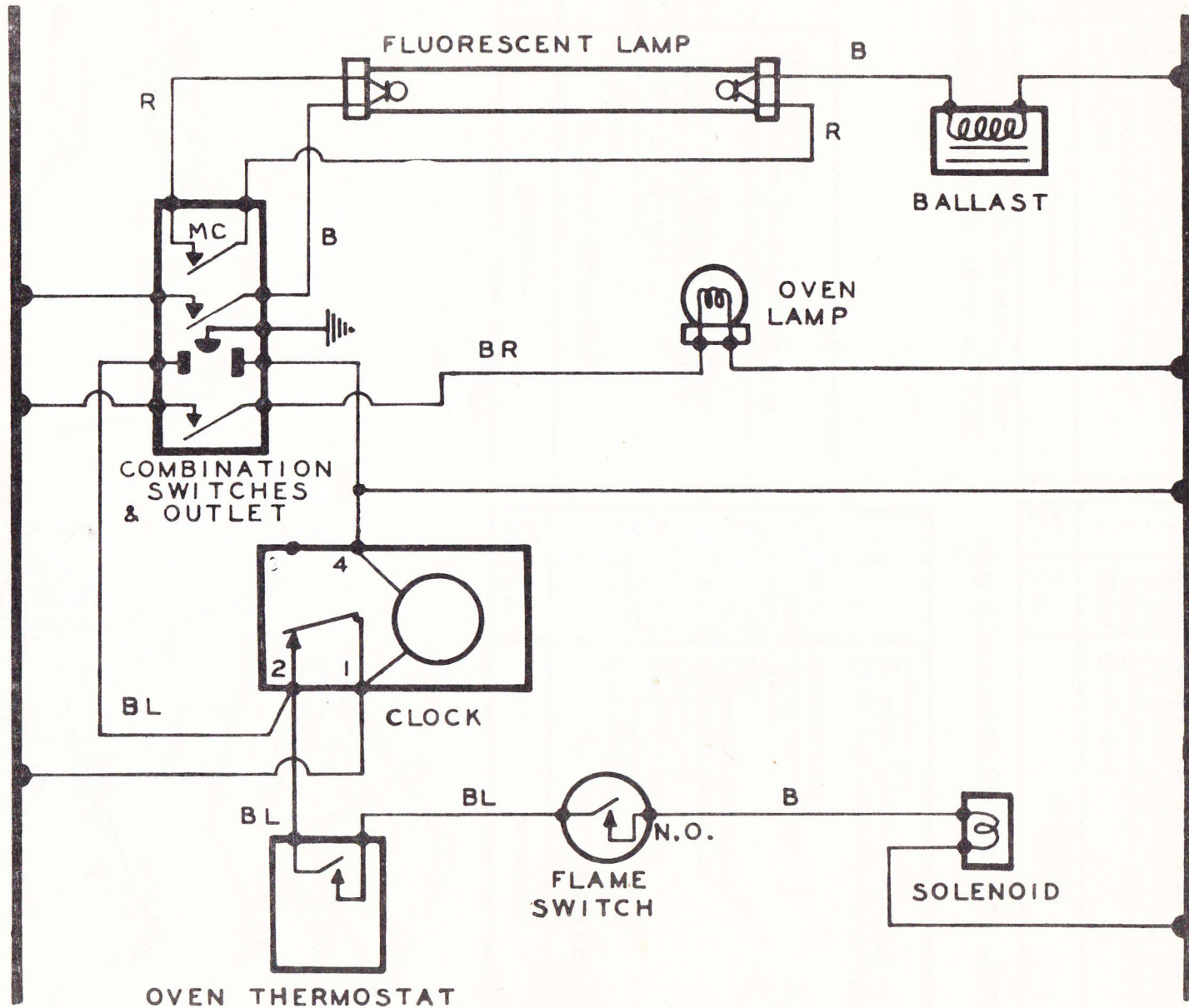
MFG. CONVERSION KIT NO. 229093 INCLUDES:

Key No.	Part No.	Description
*	229276	Orifice Card
*	87098	Giant Burner Orifice Hood (#44 Drill)
*	87102	Std. Burner Orifice Hood (#48 Drill)
*	87102	Griddle Burner Orifice Hood (#48 Drill)
*	73892	Tower Orifice Spud (.016 Hole) Alum.
*	101655	Lo. Oven Burner Orifice Hood (#32 Drill)
*	87098	Eye Level Oven Bur. Orifice Hood (#44 Drill)
*	114384	Orifice Cup (#.022 Drill)
*	115381	Air Shutter
*	71575	Charge Port (4 Required)
	*	Parts Not Shown on Illustration

WIRING DIAGRAM

"L" BLACK

"N" WHITE



PART NO. 113911