

INSTRUCTIONS AND PARTS LIST

FOR KENMORE DUCTLESS RANGE HOOD

KENMORE RANGE HOOD MODEL NUMBERS

850.5436700	30"	WHITE	850.5456700	42"	WHITE
850.5436720	30"	STAINLESS STEEL	850.5456720	42"	STAINLESS STEEL
850.5436730	30"	SHADED SLATE BLUE	850.5456730	42"	SHADED SLATE BLUE
850.5436740	30"	SHADED COPPERTONE	850.5456740	42"	SHADED COPPERTONE
850.5436760	30"	SHADED AVOCADO	850.5456760	42"	SHADED AVOCADO
850.5436790	30"	SHADED DOESKIN	850.5456790	42"	SHADED DOESKIN
850.5446700	36"	WHITE	850.5436705	CS	WHITE
850.5446720	36"	STAINLESS STEEL	850.5436725	CS	STAINLESS STEEL
850.5446730	36"	SHADED SLATE BLUE	850.5436735	CS	SHADED SLATE BLUE
850.5446740	36"	SHADED COPPERTONE	850.5436745	CS	SHADED COPPERTONE
850.5446760	36"	SHADED AVOCADO	850.5436765	CS	SHADED AVOCADO
850.5446790	36"	SHADED DOESKIN	850.5436795	CS	SHADED DOESKIN

CS - Custom Sizes

The Model Number of the hood is fastened on the inside of the hood. Always give the model number when writing to us or when ordering repair parts.

GUARANTEE

We guarantee this Kenmore Range Hood to be free from defects in material and workmanship.

When the Kenmore Range Hood is installed and operated in accordance with the instructions furnished, we will:

Repair or replace and install, at our option, without cost to you, for a period of one (1) year from date of sale, any parts or portion of this product (with the exception of glass, porcelain enamel or other finishes), if our examination shall disclose it to be defective in material or workmanship. Porcelain enamel is glass fused to metal and like glass is subject to damage in use if not cared for properly. If, however, a defect should appear in glass or any finish within thirty (30) days from date of sale, such defective part will be replaced free of charge. A charge will be made for any service (mechanical adjustments) after ninety (90) days from date of sale other than for the correction of defects as stated above; also for any service necessitated by those items listed under "Normal Responsibility of the User."

NORMAL RESPONSIBILITY OF THE USER

(The following items, since they are not manufacturing defects, are not included in the GUARANTEE, but are the responsibility of the User):

1. Damage to exterior or interior finish of Range Hood after merchandise is accepted.
2. Difficulty or damage resulting from improper operation or commercial usage.
3. Minor mechanical adjustments such as tightening of nuts, bolts, and screws.
4. Improper electrical power supply such as low voltage or Hood not connected to electrical outlet.
5. Blown fuses, loose connections or defects in the house wiring system.
6. Replacement of light bulbs.
7. Damage as a result of fire, flood, or acts of God.

Service pertaining to any of the above will be at the User's expense. Only stores authorized to sell and service Kenmore Range Hoods may fulfill the terms of this guarantee.

We do not authorize any person or representative to make any other guarantee or to assume for us any liability in connection with the sale of Kenmore Range Hoods other than those contained herein. Any agreement outside of, or contradictory to, the foregoing shall be void and of no effect. This Guarantee applies only to Kenmore Range Hoods owned and operated in the United States.

SEARS ROEBUCK AND CO., U. S. A.

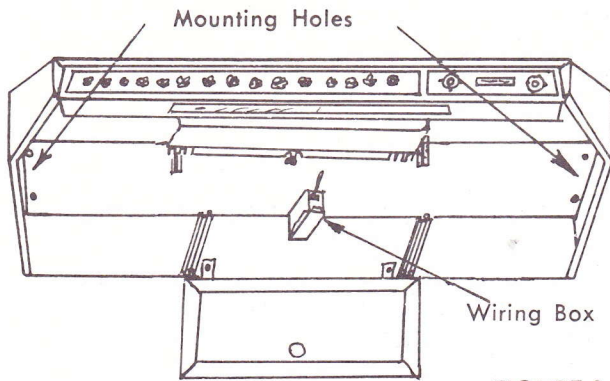


FIGURE 1

UNDER CABINET INSTALLATION

Remove the access cover inside the hood so the power supply can be brought through.

Place the hood in position and secure to the cabinet above using four screws or bolts. See Fig. 1.

Connect the power supply to the leads in the junction box. Be sure to conform to local and national wiring codes.

WALL HUNG INSTALLATION

If there are no cabinets above to which the hood can be fastened, it will be necessary to make a wall hung installation.

For this type of installation, the hood can be vented to either top or the rear.

Venting to the rear will make the neatest installation because the duct will be concealed.

Order one wall mount kit No. 56779 from your nearest Sears Retail Store or your Sears Store catalog for making this type of installation. Expansion bolts are included. If it should ever become necessary to remove the hood the bolts can be unscrewed and the sleeves will remain in the wall.

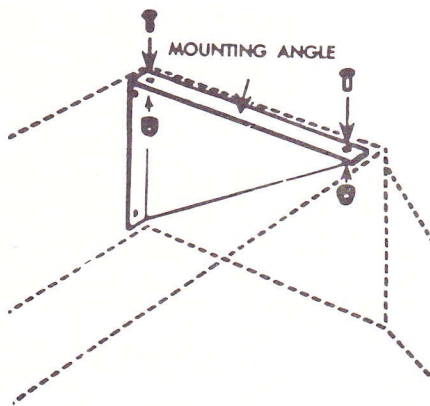


FIGURE 2

Attach the mounting angles from the wall mount kit to the inside of both ends of the Hood with acorn nuts and bolts furnished.

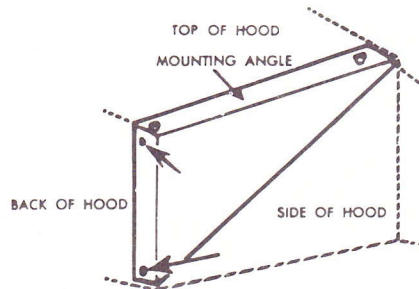


FIGURE 3

Drill holes in the back of Hood using the mounting angles for templates. Position Hood on wall, making sure it is level and at the correct height over range. Mark points on wall with pencil or sharp tool. Use holes in mounting angles (attached to Hood) as template.

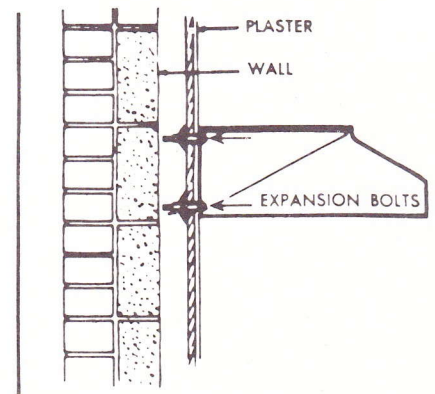


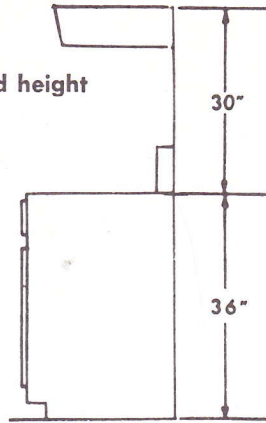
FIGURE 4

Drill four 7/16" diameter holes in wall at places marked. Mount Hood securely to wall with expansion bolts provided.

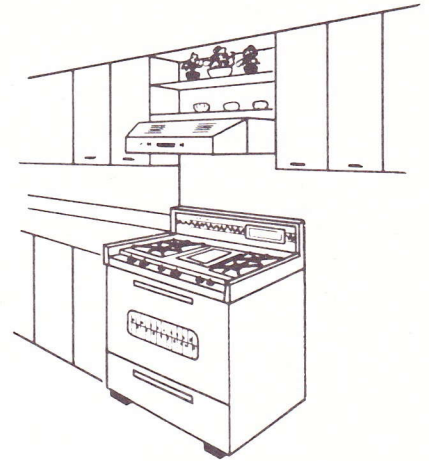
FINISHING SUGGESTIONS

There are many ways of finishing a wall hung type installation. The suggestions shown in the sketches are just a few of the many ways possible of making use of the area above your Kenmore Hood.

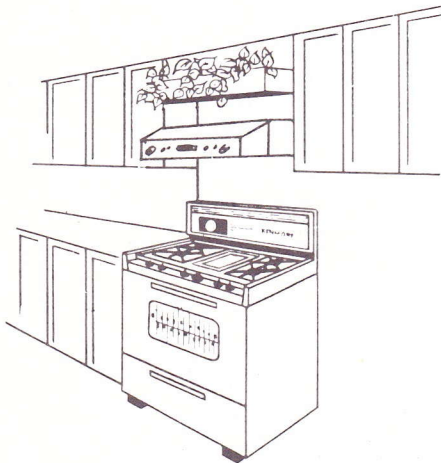
Recommended height



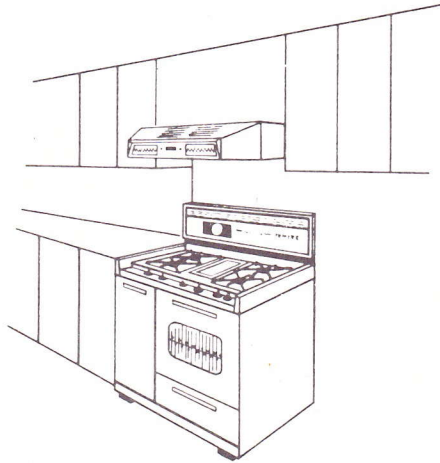
Using Hood and horizontal installation on outside wall.



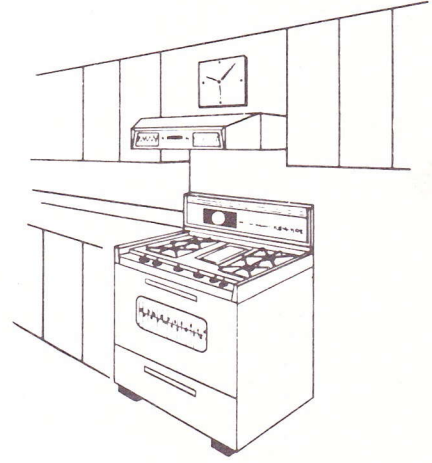
A ductless Hood and decorative nicknack shelf above Hood between cabinets.



Using Ducted Hood and decorative nicknack shelf above Hood between cabinets. Hood vented horizontally.



A ductless Hood with solid paneling above.



Using Hood with clock mounted in decorative panel between cabinets.

CABINETS WITH CONCEALED BOTTOM DOOR PULLS

To facilitate opening this type door above a hood, install handles or knobs about 3 inches above the bottom of the door and about 3 inches from the edge.

If the installation of knobs or handles is objectionable, the touch type door catches can be installed. It is also possible to install the hood on a wooden frame $\frac{1}{2}$ to $\frac{3}{4}$ inches below the cabinet bottom. The wooden frame can then be concealed by a stainless steel moulding as shown in Figure 5.

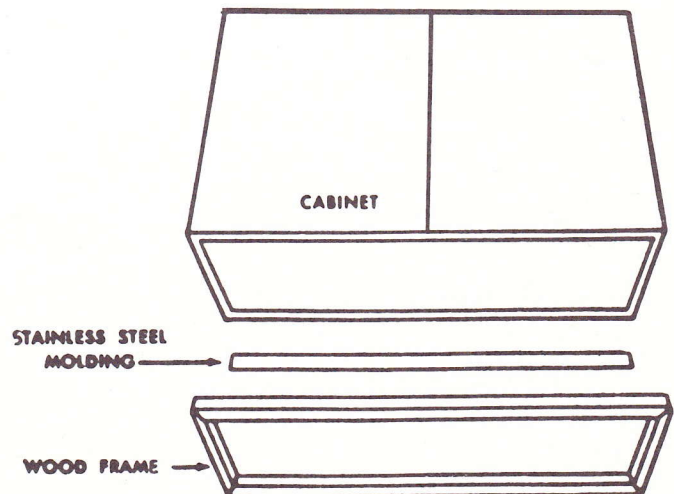


FIGURE 5

OPERATING INSTRUCTIONS

SWITCHES

The two rotary switches at the center of the front panel control the blower and the light. Both switches are limited to 90° rotation. Both switches turn on in a clockwise direction.

The blower is on high speed at the first "click" from OFF and runs on low speed at the second "click".

CARE AND CLEANING

To maintain top efficiency, the blower wheels should be cleaned periodically of dust and grease. Be careful not to bend or damage the fins as this would put them out of balance.

The inside of the hood body should be cleaned also. Use a mild detergent for cleaning painted surfaces.

Clean the aluminum mesh grease filter once a month, using hot water and a mild detergent. Do not use caustic cleaning agents as they will cause discoloration of the aluminum.

DO NOT wash charcoal filter. This filter should be replaced annually or oftener under heavy usage.

Finger prints and smears can be easily removed with a mild cleaner such as glass wax or paste cleaner. DO NOT USE HARSH CLEANSERS OR DETERGENTS.

Oil the blower motor annually with a light grade of motor oil. DO NOT OVER-OIL.

PARTS REMOVAL PROCEDURE

TO REMOVE ELECTRICAL FITTINGS

1. Unscrew knurled nuts and remove lens holder. This exposes the electrical fittings for replacement.
2. To remove fluorescent lamp, hold it at both ends, rotate through 90° and pull downwards.
3. To remove the starter, rotate it counter-clockwise with a slight downward pressure till free. Then pull out.
4. To remove ballast disconnect its leads and unscrew the two holding screws.

TO REMOVE FILTERS

1. Unscrew knurled nut holding bottom cover in place.
2. Lower Bottom Cover. Filter channels hold filters in place and they will not fall out.
3. Pull filters downward to remove. Charcoal filter should always be nearest to the blower.

TO REMOVE BLOWER ASSEMBLY

1. Open bottom cover plate as in removing filters.
2. Disconnect blower motor plug from socket.
3. Remove four wing nuts from blower mounting plate and remove blower assembly.



FIGURE 6

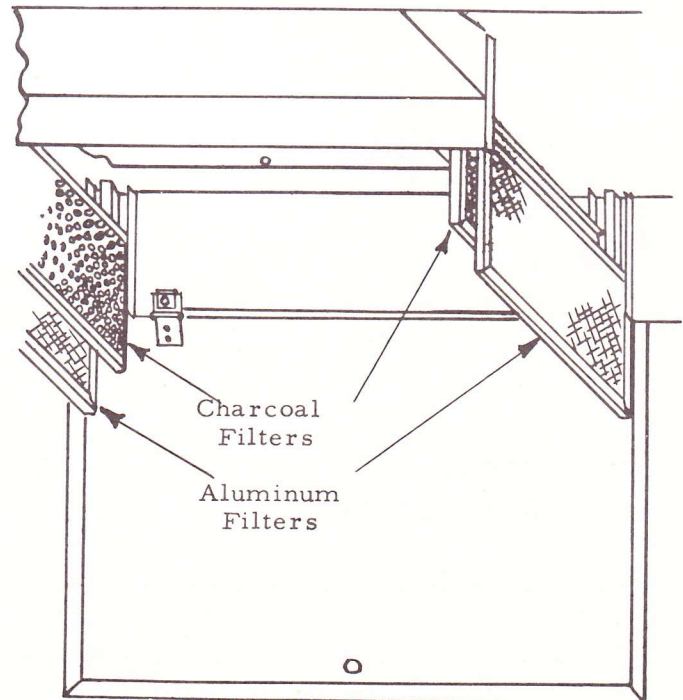
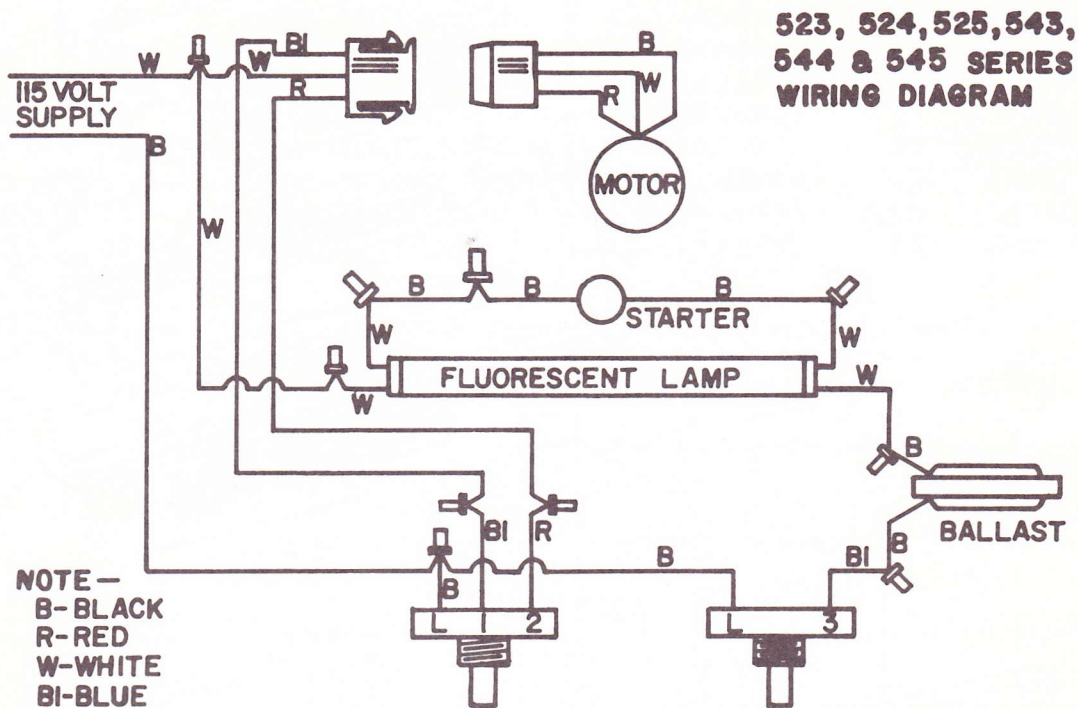


FIGURE 7



MOTOR CONNECTIONS:
 BLACK - HIGH SPEED
 RED - LOW SPEED
 WHITE - COMMON

RANGE HOOD CANOPIES

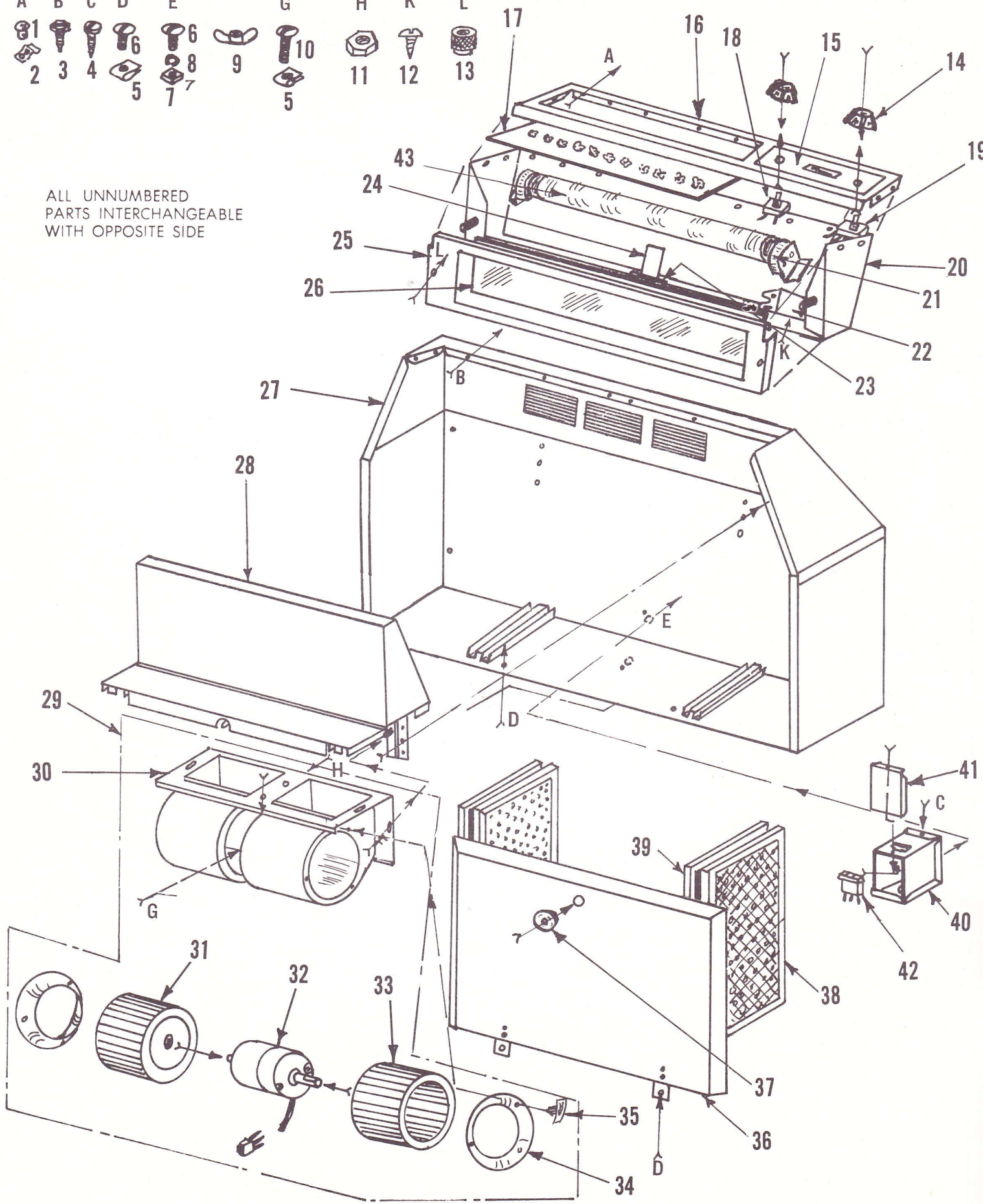
(See Parts List—Key No. 27)

Part Numbers

Finish	Width of Hood							
	24"	27"	30"	33"	36"	39"	42"	48"
White	17139	17140	17141	17142	17143	17144	17145	17146
Stainless Steel	17147	17148	17149	17150	17151	17152	17153	17154
Shaded Slate Blue	17155	17156	17157	17158	17159	17160	17161	17162
Shaded Coppertone	17163	17164	17165	17166	17167	17168	17169	17170
Shaded Avocado	17171	17172	17173	17174	17175	17176	17177	17178
Shaded Doeskin	17179	17180	17181	17182	17183	17184	17185	17186

- A 1
- B 3
- C 4
- D 6
- E 6
- G 9
- H 11
- K 12
- L 13
- 2
- 3
- 4
- 5
- 6
- 7
- 8
- 10
- 11
- 12
- 13

ALL UNNUMBERED
PARTS INTERCHANGEABLE
WITH OPPOSITE SIDE



KENMORE RANGE HOOD MODEL NUMBERS

850.5436700	30"	WHITE	850.5456700	42"	WHITE
850.5436720	30"	STAINLESS STEEL	850.5456720	42"	STAINLESS STEEL
850.5436730	30"	SHADED SLATE BLUE	850.5456730	42"	SHADED SLATE BLUE
850.5436740	30"	SHADED COPPERTONE	850.5456740	42"	SHADED COPPERTONE
850.5436760	30"	SHADED AVOCADO	850.5456760	42"	SHADED AVOCADO
850.5436790	30"	SHADED DOESKIN	850.5456790	42"	SHADED DOESKIN
850.5446700	36"	WHITE	850.5436705	CS	WHITE
850.5446720	36"	STAINLESS STEEL	850.5436725	CS	STAINLESS STEEL
850.5446730	36"	SHADED SLATE BLUE	850.5436735	CS	SHADED SLATE BLUE
850.5446740	36"	SHADED COPPERTONE	850.5436745	CS	SHADED COPPERTONE
850.5446760	36"	SHADED AVOCADO	850.5436765	CS	SHADED AVOCADO
850.5446790	36"	SHADED DOESKIN	850.5436795	CS	SHADED DOESKIN

CS - Custom Sizes

Parts shown in this list may be ordered through any Sears retail or mail order store. When ordering parts always give the following information:

1. The Part Number.
2. The Part Name.
3. The Model Number which is shown on data plate attached to inside top of canopy.
4. The exact width of HOOD (for custom sizes only).
5. The Name of Item—Kenmore Range Hood.

Always order by Part Number—not by Key Number.

PARTS LIST

Key No.	Part No.	Description	No. Req'd.	Key No.	Part No.	Description	No. Req'd.
1	6857	Rivet aluminum	6		17074	For 30" Hood	
2	6806	Panel Clip	5		17075	For 36" Hood	
3	17055	*Screw No. 10 x 3/8 hex sheet metal	11		17076	For 42" Hood	
4	GM171703	*Screw No. 8 x 1/2 pan tapping	2		17077	For Custom Sizes (specify exact width of HOOD)	
5	GM445440	*Spring Nut 'U' - Type No. 10-24	3				
6	GM141526	*Screw No. 10 x 3/8 Truss Mach.	6	26	17078	Light Lens	1
7	GM120619	*Square Nut No. 10-24	4	27		Canopy (see separate listing page 5)	1
8	GM131183	*Washer 3/16 Split Lock	2			Discharge Dust Assy.	1
9	GM126177	*Wing Nut 1/4 - 20	4	28		White	
10	GM436715	*Screw No. 10 x 5/8 Pan Mach.	1		17187	Shaded Coppertone	
11	GM120361	*Hex Nut. No. 10-24	2		17188	Metallic Grey	
12	17056	Screw No. 6A x 3/8 Pan Sheet Metal	2		17189	Shaded Slate Blue	
13	6936	Thumb Nut	2		17190	Shaded Avocado	
14	6776	Switch Knob	2		17191	Shaded Doeskin	
15	17057	Emblem Panel	1		17192	Blower Assy.	1
16		Control Panel	1	29	6781	Blower Housing	1
	17058	For 30" Hood		30	6782	Blower Wheel - Left	1
	17059	For 36" Hood		31	6784	Blower Motor	1
	17060	For 42" Hood		32	6785	Blower Wheel - Right	1
	17061	For Custom Sizes (specify exact width of HOOD)		33	6786	Venturi	2
17		Decorative Front Panel	1	34	6787	Speed Clip	6
	17062	For 30" Hood		35	17079	Fan Box Cover	1
	17063	For 36" Hood		36		White	
	17064	For 42" Hood			17080	Shaded Coppertone	
	17065	For Custom Sizes (specify exact width of HOOD)			17081	Metallic Grey	
18	6753	Light Switch	1		17082	Shaded Slate Blue	
19	6752	Motor Switch	1		17083	Shaded Avocado	
20		Lamp Box	1		17084	Shaded Doeskin	
	17066	For 30" Hood		37	6542	Knurled Nut	1
	17067	For 36" Hood		38	6789	Grease Filter	2
	17068	For 42" Hood		39	6790	Charcoal Filter	2
	17069	For Custom Sizes (specify exact width of HOOD)		40	6791	Conduit Box	1
21	17070	Lamp Holder	2	41	6792	Conduit Box Cover	1
22	17071	Ballast	1	42	6751	Plug - 3 circuit w/contacts	1
23	17072	Starter Base	1	43		Fluorescent Lamp	1
24	17073	Starter	1		17086	For 24" Hood	
25		Lens Holder (specify color)	1		17087	For 27", 30", 33" Hood	
					17088	For 36", 39", 42", 48" Hood	
				not illus.	17089	Instructions and Parts List	1

* Standard Hardware Item—may be purchased locally.

KENMORE



Protect your investment by using factory-approved parts and thoroughly trained service men who know KENMORE products.

Phone or write us for dependable KENMORE service and genuine KENMORE parts.

SEARS, ROEBUCK AND CO.

"SATISFACTION GUARANTEED OR YOUR MONEY BACK"

Printed in U.S.A.