

REPAIR PARTS MANUAL

MODEL NO. P35TN20SE

Rotary Lawn Mower

For Parts and Service, contact our authorized distributor: call 1-800-849-1297
For Technical Assistance: call 1-800-829-5886

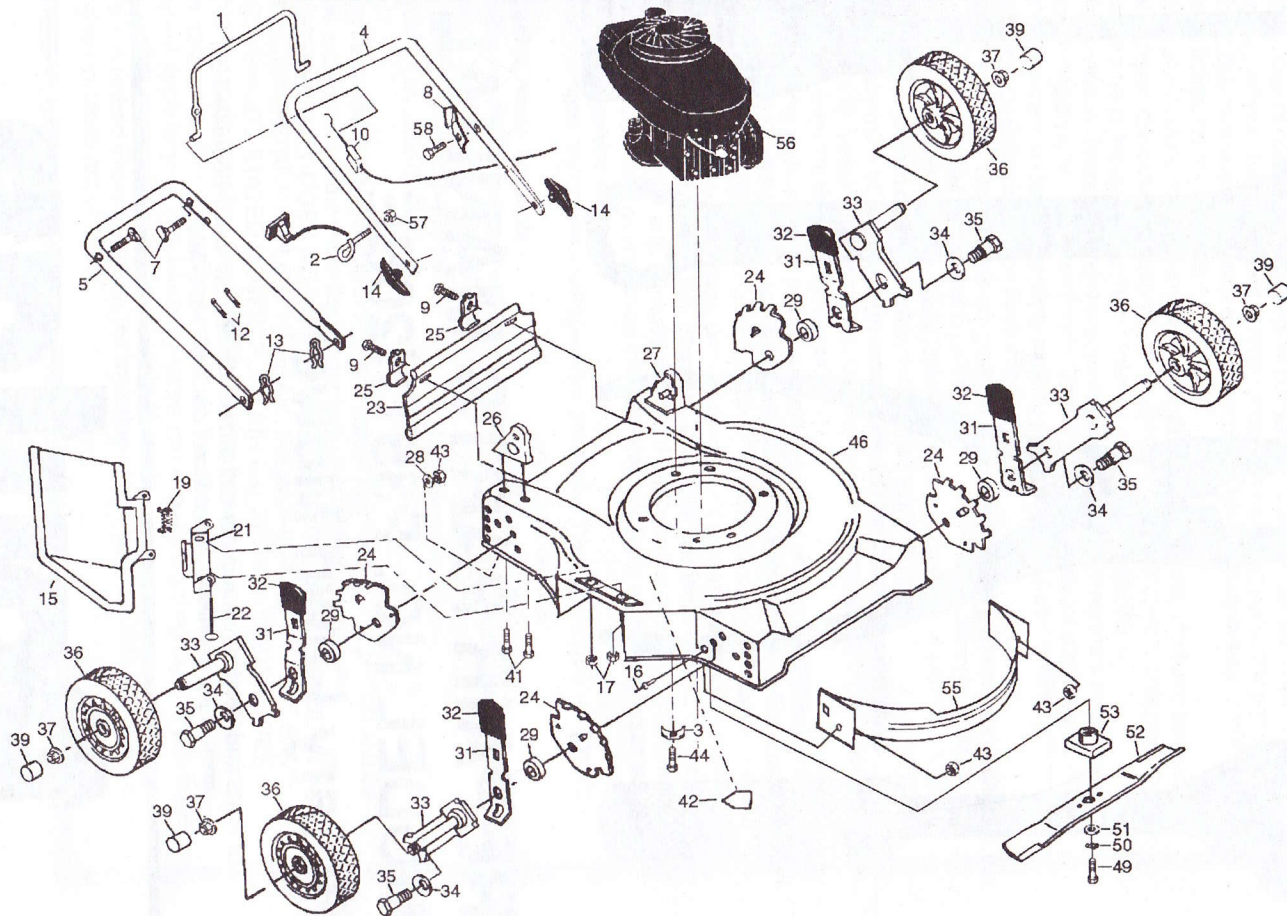
Poulan

181217 11.30.01 BY

Printed in U.S.A.

ROTARY LAWN MOWER -- MODEL NUMBER P35TN20SE

2



ROTARY LAWN MOWER - - MODEL NUMBER P35TN20SE

KEY NO.	PART NO.	DESCRIPTION	KEY NO.	PART NO.	DESCRIPTION
1	131696	Control Bar	33	145935X479	Axle Arm Assembly
2	179585	Rope Guide	34	62335	Belleville Washer
3	851201X004	Engine Washer	35	142748	Shoulder Bolt
4	166860X479	Upper Handle	36	700263	Wheel and Tire Assembly
5	151590X479	Lower Handle	37	83923	Nut
7	131959	Handle Bolt 5/16-18 x 1-3/4	39	800090	Hubcap
8	850733X004	Up-Stop Bracket	41	149741	Thread Cutting Screw 5/16-18 x 3/4
9	750097	Hex Washer Head Screw #10-24 x 1/2	42	85463	Danger Decal
10	153892	Engine Zone Control Cable	43	751592	Locknut 3/8-16
12	66426	Wire Tie	44	150406	Hex Head Thread Rolling Screw 3/8-16 x 1-1/8
13	51793	Hair Pin Cotter	46	171089	Lawn Mower Housing
14	136376	STD. Knobs	49	851084	Hex Head Screw 3/8-24 x 1-3/8 (Grd.8)
15	752052	Discharge Guard	50	850263	Helical Lock washer 3/8
16	128415	Rivet	51	851074	Hardened Washer
17	63601	Locknut 1/4-20	52	850972	Blade 20
19	851855	Torsion Spring	53	850977	Blade Adapter
21	88602	Hinge Deflector	55	700839X479	Front Baffle
22	150215	Hinge Rod	56	---	Engine, Tecumseh, Model Number LEV80 (Order parts from engine manufacturer)
23	140543	Rear Deflector			
24	750085X007	Wheel Adjusting Bracket	57	132004	Nut, Hex 1/4-20
25	87584X004	Deflector Bracket	58	750634	Screw, Thd., Roll. #10-24 x .50
26	170345X479	Handle Bracket Assembly (Right)	--	161058	Warning Decal (Not Shown)
27	170346X479	Handle Bracket Assembly (Left)	--	181217	Replacement Parts Manual
28	61537	Washer	--	172782	Operator's Manual (English)
29	146630	Spacer	--	172784	Operator's Manual (Spanish)
31	700331X004	Selector Spring			
32	87877	Selector Knob			

NOTE: All component dimensions given in U.S. inches
1 inch = 25.4 mm

LIMITED WARRANTY

The Manufacturer warrants to the original consumer purchaser that this product as manufactured is free from defects in materials and workmanship. For a period of one (1) year from date of purchase by the original consumer purchaser, we will repair or replace, at our option, without charge for parts or labor incurred in replacing parts, any part which we find to be defective due to materials or workmanship. This Warranty is subject to the following limitations and exclusions.

1. This warranty does not apply to the engine, other than EHP manufactured transaxle/transmission components, battery (except as noted below) or components parts thereof. Please refer to the applicable manufacturer's warranty on these items.
2. Transportation charges for the movement of any power equipment unit or attachment are the responsibility of the purchaser. Transportation charges for any parts submitted for replacement under this warranty must be paid by the purchaser unless such return is requested by Electrolux Home Products.
3. Battery Warranty: On products equipped with a Battery, we will replace, without charge to you, any battery which we find to be defective in manufacture, during the first ninety (90) days of ownership. After ninety (90) days, we will exchange the Battery, charging you 1/12 of the price of a new Battery for each full month from the date of the original sale. Battery must be maintained in accordance with the instructions furnished.
4. The Warranty period for any products used for rental or commercial purposes is limited to 45 days from the date of original purchase.
5. This Warranty applies only to products which have been properly assembled, adjusted, operated, and maintained in accordance with the instructions furnished. This Warranty does not apply to any product which has been subjected to alteration, misuse, abuse, improper assembly or installation, delivery damage, or to normal wear of the product.
6. Exclusions: Excluded from this Warranty are belts, blades, blade adapters, normal wear, normal adjustments, standard hardware and normal maintenance.
7. In the event you have a claim under this Warranty, you must return the product to an authorized service dealer.

Should you have any unanswered questions concerning this Warranty, please contact:

Electrolux Home Products
a division of WCI Outdoor Products, Inc.
Outdoor Products Customer Service Dept.
250 Bobby Jones Expressway
Augusta, GA 30909 USA

in Canada contact:
Electrolux Home Products
a division of WCI Outdoor Products, Inc.
7075 Ordan Drive
Mississauga, Ontario
L5T 1K6

giving the model number, serial number and date of purchase of your product and the name and address of the authorized dealer from whom it was purchased.

THIS WARRANTY DOES NOT APPLY TO INCIDENTAL OR CONSEQUENTIAL DAMAGES AND ANY IMPLIED WARRANTIES ARE LIMITED TO THE SAME TIME PERIODS STATED HEREIN FOR OUR EXPRESSED WARRANTIES.

Some areas do not allow the limitation of consequential damages or limitations of how long an implied Warranty may last, so the above limitations or exclusions may not apply to you. This Warranty gives you specific legal rights, and you may have other rights which vary from locale to locale.

This is a limited Warranty within the meaning of that term as defined in the Magnuson-Moss Act of 1975.

Poulan